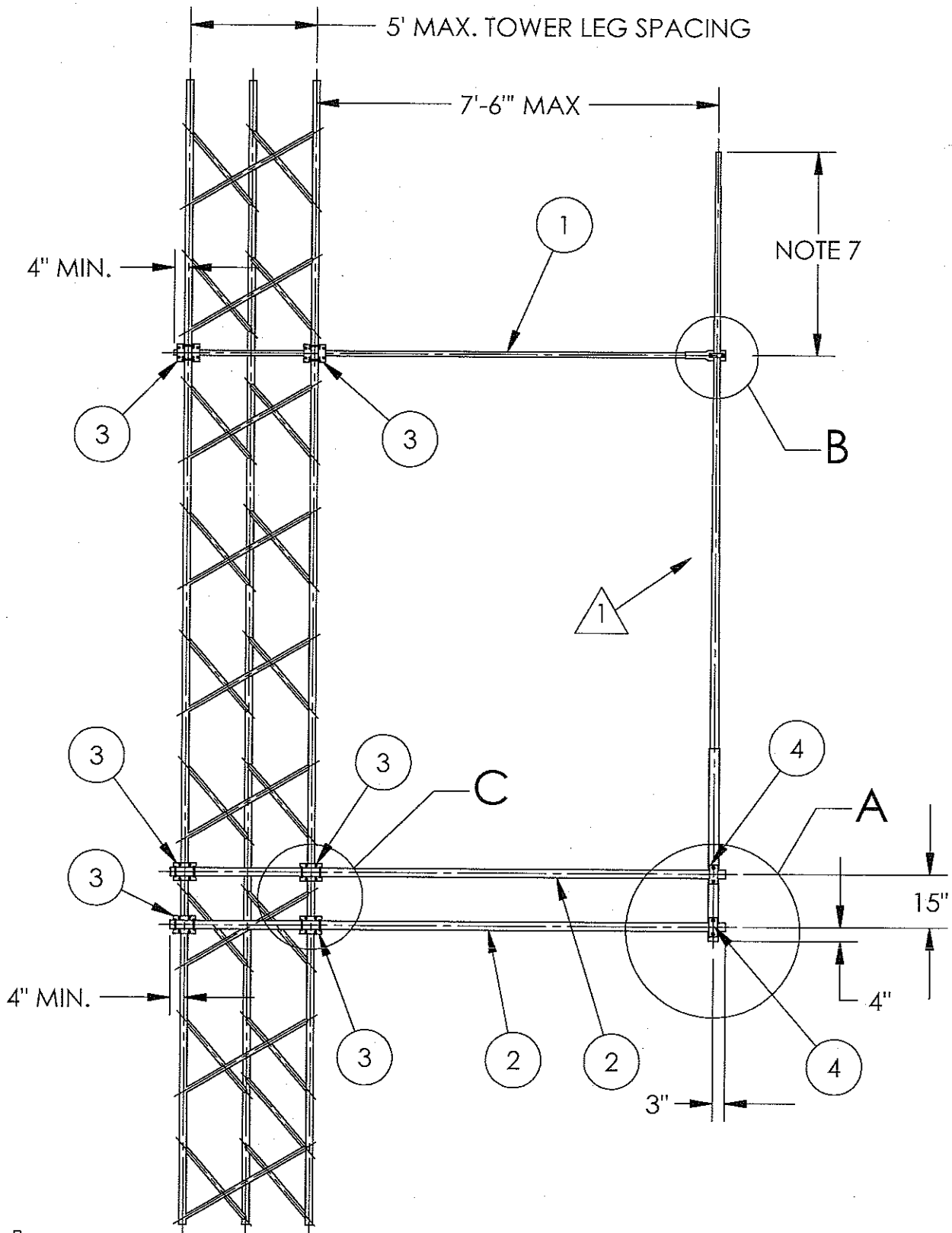


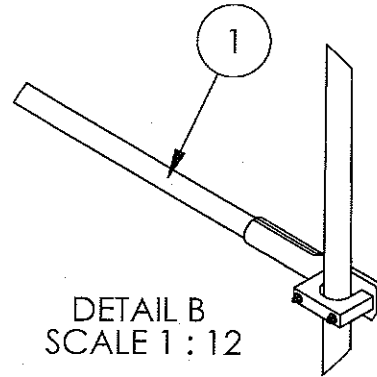
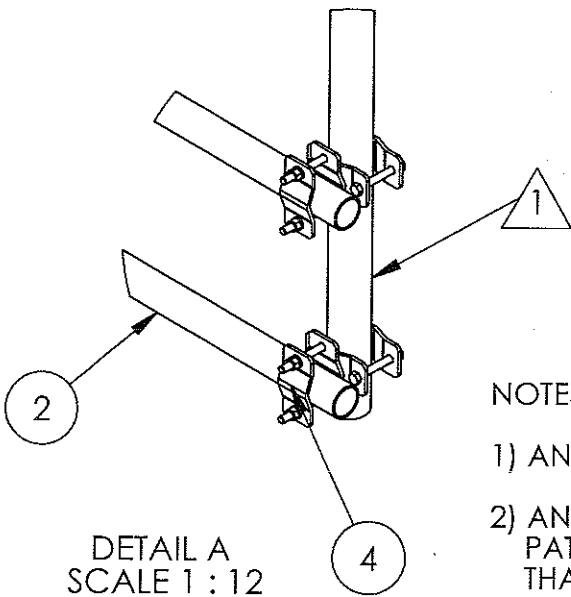
INSTALLATION INSTRUCTIONS SMK-225-A7 ADJUSTABLE SIDE MOUNTING KIT ASSEMBLY

006003-1 ISS.4



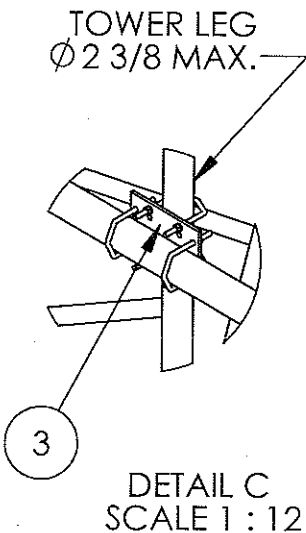
SINCLAIR

ITEM NO.	PART NUMBER	DESCRIPTION	QTY.
1	352456-4	UPPER SUPPORT ASSEMBLY (157")	1
2	7010360	LOWER SUPPORT PIPE, 2 IPS (SCH 40) AL. PIPE, 6061-T6, 158" LG	2
3	450429	#120 CLAMP ASSEMBLY	6
4	451104	#17 CLAMP	2



NOTES:

- 1) ANTENNA NOT INCLUDED.
- 2) ANTENNAS WITH OMNIDIRECTIONAL RADIATION PATTERNS SHOULD NOT BE SPACED CLOSER THAN ONE WAVE-LENGTHS FROM THE TOWER. AT LESS SPACING, SIGNIFICANT DEGRADATION OF VSWR WILL OCCUR AND THE ANTENNA PATTERN WILL BE NOTABLY DISTORTED. THESE EFFECTS WILL GRADUALLY REDUCE AS THE ANTENNA IS MOVED AWAY FROM THE TOWER.
- 3) SMK-225-A7 USED FOR ANTENNAS:
SC229; SC320; SC249.
- 4) BOLT TORQUE, DRY:
BOLT 5/16-18 10FT-LB
BOLT 3/8-16 15FT-LB
BOLT 1/2-13 30FT-LB
- 5) CLAMPS (TEM 3) ARE DESIGNED FOR ROUND TOWER LEGS ONLY.
CLAMPS FOR ANY OTHER TOWER LEG SHAPE TBD.
- 6) SMK-225-A7 SPECIFICATION:
WEIGHT: 61 lb
PROJECTED AREA (fpe): 5.1 sq-ft
RATED WIND VELOCITY (no ice): 135 mph
RATED WIND VELOCITY (0.5" ice): 110 mph
- 7) ADJUST BY SLIDING ARM DOWN TAPER OF MAST UNTIL NO FURTHER TRAVEL IS POSSIBLE OR 1/3 OF RADOME LENGTH, WHATEVER COMES FIRST, THEN TIGHTEN FASTENERS AT TOWER-LEG BRACKETS.



SINCLAIR