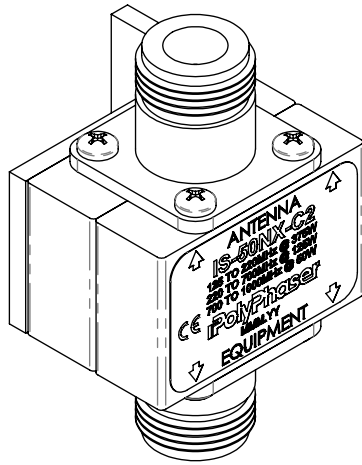
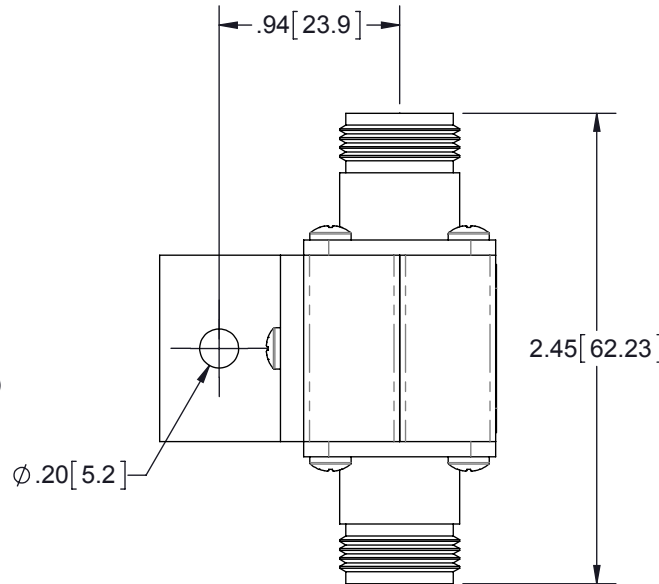
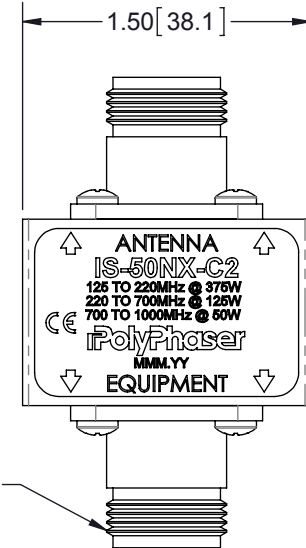
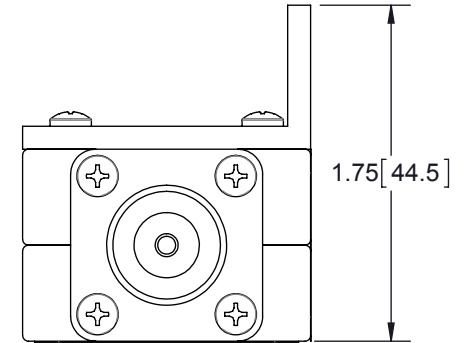


REVISIONS				
REV.	DESCRIPTION	ECN	DATE	APPROVED
G	REFER TO ECN	11902	8/9/13	JLJ



HARDWARE KIT INCLUDES:

QTY	DESCRIPTION
1	SCREW 10-32 X .50 SLOT F PAN 4-10 SS
1	SCREW 10-32x.50 SLOT MS PAN 18-8 SS
1	NUT 10-32 HEX 18-8 SS
2	WASHER 10 EXT TOOTH SS STAINLESS STEEL




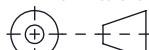
2X 'N' FEMALE CONNECTOR

MAXIMUM CHARACTERISTICS

- APPLICATION:**  
TWO WAY RADIO AND SCADA APPLICATIONS  
NON-WEATHERIZED, FLANGE MOUNT
- SURGE:**  
50kA IEC 61000-4-5 8/20μs WAVEFORM (TESTED)  
20kA (RATED)
- TURN-ON:**  
600Vdc ±20%
- TURN-ON TIME:**  
2.5ns FOR 2kV/ns
- FREQUENCY RANGE:**  
125MHz TO 1GHz
- VSWR:**  
≤1.1:1 OVER FREQUENCY RANGE
- INSERTION LOSS:**  
≤0.1dB OVER FREQUENCY RANGE
- MAX POWER:**  
375W @ 125MHz TO 220MHz  
125W @ 220MHz TO 700MHz  
50W @ 700MHz TO 1000MHz
- THROUGHPUT ENERGY:**  
≤220μJ FOR 3kA, 8/20μs WAVEFORM
- TEMPERATURE:**  
STORAGE: -55°C TO +85°C  
OPERATING: -50°C TO +50°C
- VIBRATION:**  
1G UP TO 100Hz
- CE COMPLIANT**  
**RoHS COMPLIANT**

CUSTOMER APPROVAL: \_\_\_\_\_ DATE: \_\_\_\_\_

ALL DIMENSIONS SHOWN ARE FOR REFERENCE ONLY.

UNLESS OTHERWISE SPECIFIED LEADING DIMENSIONS ARE INCHES DIMENSIONS IN [ ] ARE MILLIMETERS	DRAWN J. CALLISTER	DATE 9/21/93			SHEET 1 OF 1		
	TOLERANCES: FRACTIONS=± 1/32 .XX=± .03 ANGLES=± 1° .XXX=± .010	ENG APPD J. JONES			4/12/95	SCALE 1:1	
NOTICE: THE INFORMATION AND DESIGN IN THIS DOCUMENT IS THE PROPERTY OF POLYPHASER CORPORATION. ALL RIGHTS RESERVED.	PRODUCT MGR		<b>TITLE</b> BROADBAND 125-1000MHz R50 T.O. 600Vdc N FEM CUSTOMER SPECIFICATION				
	MARKETING APPD R. MATHEUS	4/12/95					
THIRD-ANGLE PROJECTION 	PROJECT NO.		SIZE A	CAGE 61114	PROD CAT RFP	PART NUMBER IS-50NX-C2	REV G