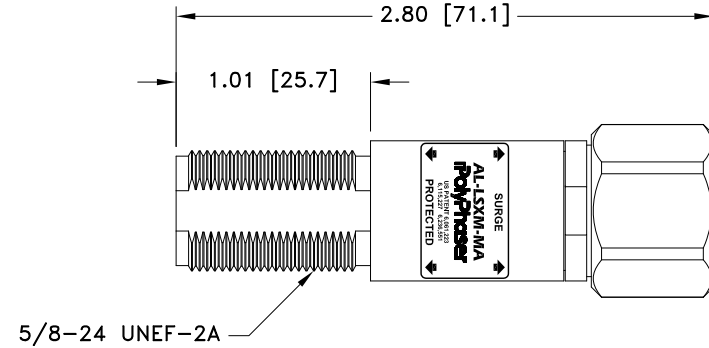
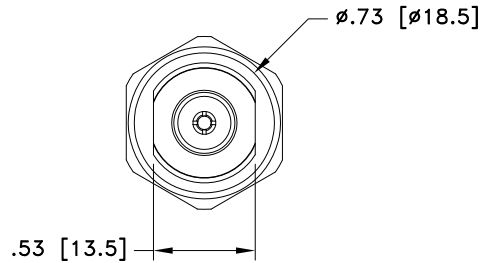
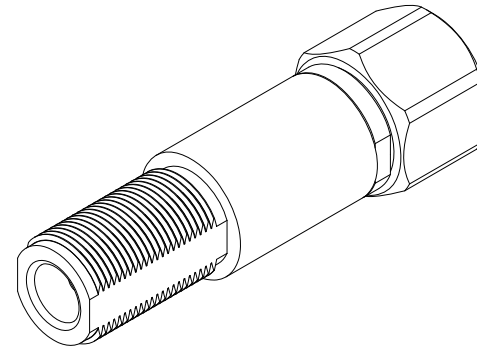


ALL DESIGN, OPERATIVE AND PROCESS DATA PERTAINING TO THE ARTICLE SHOWN ON THIS SHEET IS THE PROPERTY OF POLYPHASER CORPORATION. THE INFORMATION IS NOT TO BE COPIED, REPRODUCED, REVEALED TO OR APPROPRIATED BY OTHERS WITHOUT THE EXPRESS WRITTEN CONSENT OF POLYPHASER CORPORATION.

These commodities or technology are exported from the U.S. in accordance with the Export Administration Regulations. Diversion contrary to U.S. law prohibited.

REVISIONS

| REV LTR | DATE | ENG | MKTG | Q.A. |
|---------|-------------|-----|------|------|
| A | 10/24/07 SH | AD | -- | -- |



MAXIMUM CHARACTERISTICS

APPLICATION:
BULKHEAD MOUNT/ALUMINUM CONSTRUCTION
WEATHERPROOF WHEN INSTALLED

SURGE:
10kA IEC 61000-4-5 8/20μs WAVEFORM

FREQUENCY RANGES:
2.0GHz TO 6.0GHz

VSWR:
≤1.2:1 TYPICAL (≤1.3 TO 1 MAX.)

INSERTION LOSS:
≤0.1dB TYPICAL (≤0.2dB MAX.)

RETURN LOSS:
≥20dB TYPICAL (≥18dB MAX.)

CONTINUOUS POWER:
10W

LET THROUGH VOLTAGE:
≤±3 VOLTS FOR 3kA @ 8/20μs WAVEFORM

THROUGHPUT ENERGY:
≤0.5μJ FOR 3kA @ 8/20μs WAVEFORM


TEMPERATURE:
-40°C TO +85°C STORAGE/OPERATING

VIBRATION:
1G AT 5Hz TO 100Hz

ENVIRONMENTAL:
MEETS IEC 60529 IP65
MEETS BELLCORE #TA-NWT-000487
PROCEDURE 4.11, WIND DRIVEN (120MPH)
RAIN INTRUSION TEST

CUSTOMER APPROVAL: _____ DATE: _____

ALL DIMENSIONS SHOWN ABOVE ARE FOR REFERENCE ONLY.

| | | | | | |
|-----------------------------|------------------|---|------------------|--------------|-----------------|
| DRAFTER R. DUNNING | DATE 03/16/04 |  P.O. BOX 9000 MINDEN, NV 89423 TEL: 775-782-2511 FAX: 775-782-4476 DWG NO/PART NO/DESCRIPTION AL-LSXM-MA CUSTOMER PRINT | | | |
| MECH ENGINEER R. DUNNING | DATE 03/16/04 | | | | |
| ELEC ENGINEER J. JONES | DATE 03/16/04 | | | | |
| MARKETING S. DOTTER | DATE 03/16/04 | | | | |
| QUALITY DEPT R. MATHEUS | DATE 03/16/04 | CAGE CODE 61114 | FILE NAME -C1 | SCALE 1/1 | SHEET 1 OF 1 |