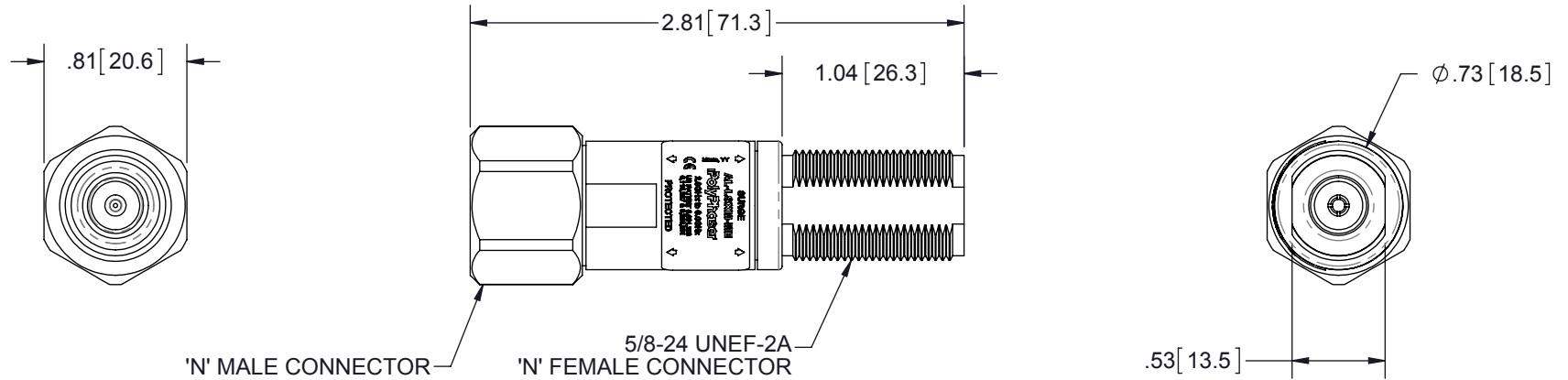


REVISIONS				
REV.	DESCRIPTION	ECN	DATE	APPROVED
D	REFER TO ECN	11900	8/9/13	JLJ



'N' MALE CONNECTOR

5/8-24 UNEF-2A
'N' FEMALE CONNECTOR

MAXIMUM CHARACTERISTICS

APPLICATION:
BULKHEAD/ALUMINUM CONSTRUCTION
WEATHERPROOF WHEN INSTALLED

SURGE:
10kA IEC 61000-4-5 8/20µs WAVEFORM

FREQUENCY RANGE:
2.0GHz TO 6.0GHz

VSWR:
≤1.2:1 TYPICAL (≤1.3:1 MAX.)

INSERTION LOSS:
≤0.1dB TYPICAL (≤0.2dB MAX.)

RETURN LOSS:
≥20dB TYPICAL

CONTINUOUS POWER:
10W

LET THROUGH VOLTAGE:
≤±3 VOLTS FOR 3kA @ 8/20µs WAVEFORM

THROUGHPUT ENERGY:
≤0.5µJ FOR 3kA @ 8/20µs WAVEFORM

VIBRATION:
1G @ 5Hz TO 100Hz

TEMPERATURE:
-40°C TO +85°C STORAGE/OPERATING

ENVIRONMENTAL:
MEETS IEC 60529 IP65
MEETS BELLCORE

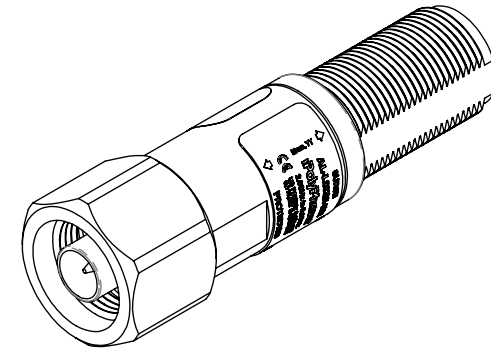
#TA-NWT-000487 PROCEDURE 4.11
WIND DRIVEN RAIN INTRUSION TEST @ 120MPH

MATERIAL:
BODY: 7075 ALUMINUM
CENTER PINS: BRASS OR BERYLLIUM COPPER
GOLD PLATED PER MIL-G-45204
TYPE II, GRADE C, CLASS 1

CE COMPLIANT
RoHS COMPLIANT

HARDWARE KIT INCLUDES:

QTY	DESCRIPTION
1	NUT 5/8-24 303 HEX SS
1	WASHER 5/8 410 SS
1	RING TERM 5/8" STUD 6AWG



CUSTOMER APPROVAL: _____ DATE: _____

ALL DIMENSIONS SHOWN ARE FOR REFERENCE ONLY.

<small>UNLESS OTHERWISE SPECIFIED LEADING DIMENSIONS ARE INCHES DIMENSIONS IN [] ARE MILLIMETERS</small> TOLERANCES: FRACTIONS=± 1/32 .XX=± .03 ANGLES=± 1° .XXX=± .010 <small>NOTICE: THE INFORMATION AND DESIGN IN THIS DOCUMENT IS THE PROPERTY OF POLYPHASER CORPORATION. ALL RIGHTS RESERVED.</small>	<small>DRAWN</small> R. SWART <small>ENG APPD</small> J. JONES <small>PRODUCT MGR</small> L. JACQUES <small>MARKETING APPD</small> S. DOTTER <small>PROJECT NO.</small>	<small>DATE</small> 8/28/03 <small>DATE</small> 9/4/03 <small>DATE</small> 9/4/03 <small>DATE</small> 9/5/03		<small>SHEET</small> 1 OF 1 <small>SCALE</small> 1:1		
	<small>DOCUMENT NAME</small> AL-LSXME-C			<small>TITLE</small> LOOP FILT 2-6GHz 10W <small>CUSTOMER SPECIFICATION</small>		
	<small>SIZE</small> A	<small>CAGE</small> 61114		<small>PROD CAT</small> RFP	<small>PART NUMBER</small> AL-LSXME	<small>REV</small> D
	<small>THIRD-ANGLE PROJECTION</small> 					

THESE COMMODITIES, TECHNOLOGY OR SOFTWARE WERE EXPORTED FROM THE UNITED STATES IN ACCORDANCE WITH THE EXPORT ADMINISTRATION REGULATIONS. DIVERSION CONTRARY TO U.S. LAW PROHIBITED.