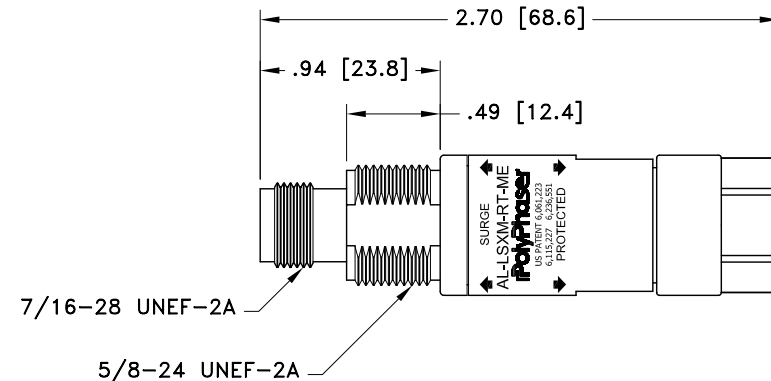
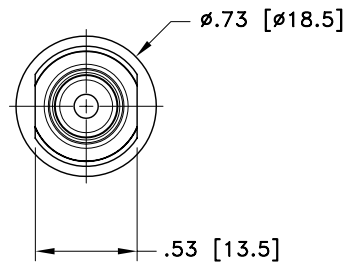
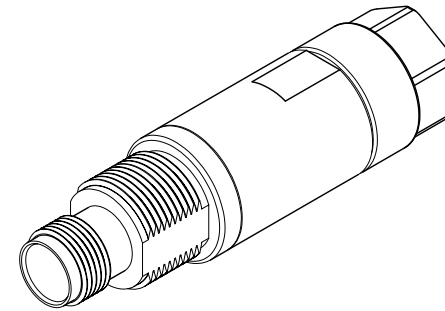


ALL DESIGN, OPERATIVE AND PROCESS DATA PERTAINING TO THE ARTICLE SHOWN ON THIS SHEET IS THE PROPERTY OF POLYPHASER CORPORATION. THE INFORMATION IS NOT TO BE COPIED, REPRODUCED, REVEALED TO OR APPROPRIATED BY OTHERS WITHOUT THE EXPRESS WRITTEN CONSENT OF POLYPHASER CORPORATION.

REVISIONS

REV LTR	DATE	ENG	MKTG	Q.A.
---------	------	-----	------	------



**MAXIMUM CHARACTERISTICS**

**APPLICATION:**

BULKHEAD MOUNT/ALUMINUM CONSTRUCTION WITH REVERSE PIN CONNECTORS WEATHERPROOF WHEN INSTALLED

**SURGE:**

10kA IEC 1000-4-5 8/20µs WAVEFORM

**\* FREQUENCY RANGES:**

2.0GHz TO 6.0GHz

**\* VSWR:**

≤1.2 TO 1 TYPICAL (≤1.3 TO 1 MAX.)

**\* INSERTION LOSS:**

≤0.1dB TYPICAL (≤0.2dB MAX.)

**\* RETURN LOSS:**

≥20dB TYPICAL

**CONTINUOUS POWER:**

10W

**LET THROUGH VOLTAGE:**

±3 VOLTS FOR 3kA @ 8/20µs WAVEFORM

**THROUGHPUT ENERGY:**

≤0.5µJ FOR 3kA @ 8/20µs WAVEFORM

**TEMPERATURE:**

-40°C TO +85°C STORAGE/OPERATING

**VIBRATION:**

1G AT 5Hz TO 100Hz

**ENVIRONMENTAL:**

MEETS IEC 60529 IP65

MEETS BELLCORE #TA-NWT-000487


PROCEDURE 4.11, WIND DRIVEN (120MPH)

RAIN INTRUSION TEST

\* THIS UNIT HAS A REVERSE GENDER PIN CONFIGURATION. PERFORMANCE SPECIFICATIONS ARE SUBJECT TO CONNECTOR/ADAPTOR QUALITY IN USE AND/OR DURING TESTING.

CUSTOMER APPROVAL: \_\_\_\_\_ DATE: \_\_\_\_\_

ALL DIMENSIONS SHOWN ABOVE ARE FOR REFERENCE ONLY.

DRAFTER R. DUNNING	DATE 04/15/03	 P.O. BOX 9000 MINDEN, NV 89423 TEL: 775-782-2511 FAX: 775-782-4476 DWG NO/PART NO/DESCRIPTION <b>AL-LSXM-RT-ME</b> CUSTOMER PRINT	
MECH ENGINEER R. DUNNING	DATE 05/12/03		
ELEC ENGINEER J. JONES	DATE 05/12/03		
MARKETING S. DOTTER	DATE 05/12/03		
QUALITY DEPT R. MATHEUS	DATE 05/12/03		
CAGE CODE 61114	FILE NAME -E1	SCALE 1/1	SHEET 1 OF 1