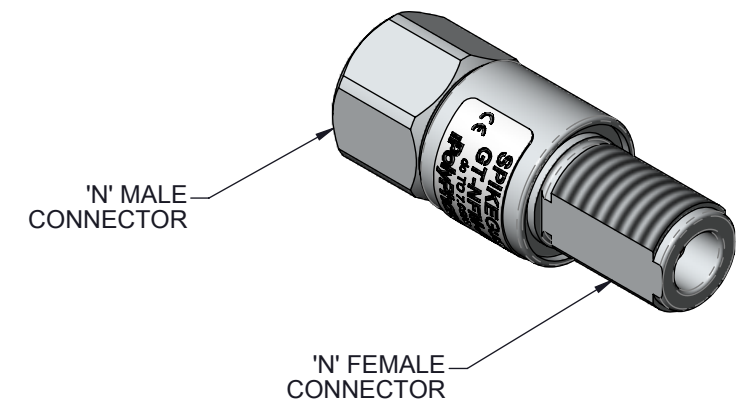
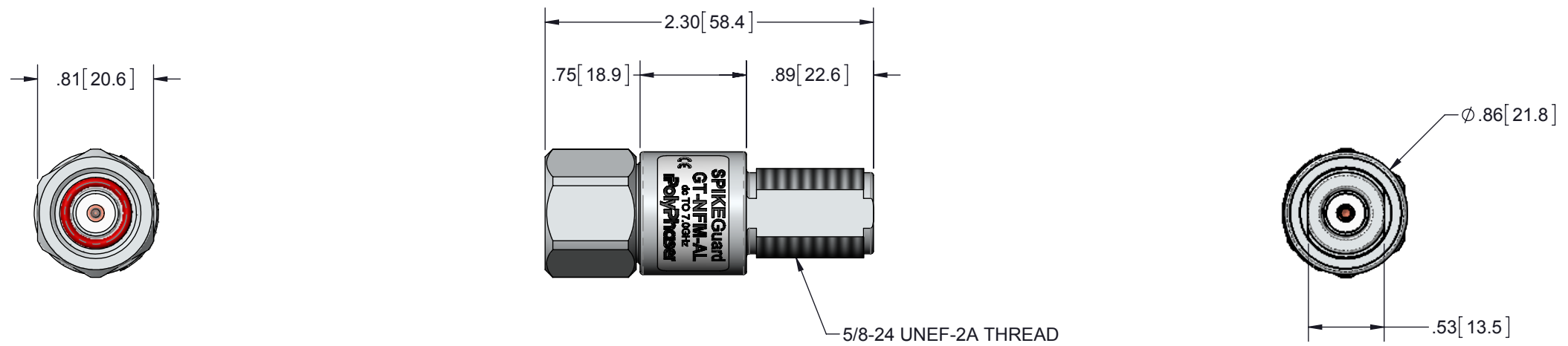


REVISIONS				
REV.	DESCRIPTION	ECN	DATE	APPROVED
E	REFER TO ECN	11928	8/9/13	JLJ



HARDWARE INCLUDED:

QTY	DESCRIPTION
1	BRACKET MOUNTING AL 5052-H32
2	NUT 8-32 HEX 18-8 SS
2	WASHER #8 410 SS INTERNAL
2	SCREW 8-32x.50 PHIL MS PAN 18-8 SS
1	NUT 5/8-24 303 HEX SS
1	O-RING 016 SILICONE

MAXIMUM CHARACTERISTICS

APPLICATION:
 BULKHEAD MOUNT/ALUMINUM CONSTRUCTION
 WEATHER PROOF WHEN INSTALLED

FREQUENCY RANGE:
 dc TO 7.0GHz

MAX RF POWER:
 90W/CW @ 30MHz
 9W/CW @ 3GHz

VSWR:
 dc TO 3.0GHz @ ≤1.1 TO 1
 dc TO 4.0GHz @ ≤1.2 TO 1
 dc TO 7.0GHz @ ≤1.4 TO 1

INSERTION LOSS:
 dc TO 4.0GHz @ ≤0.1dB
 dc TO 7.0GHz @ ≤0.25dB

RETURN LOSS:
 dc TO 3.0GHz @ ≥30dB
 dc TO 4.0GHz @ ≥23dB
 dc TO 7.0GHz @ ≥15dB

DISCHARGE DEVICE CHARACTERISTICS

SURGE:
 20kA ONE TIME @ IEC 61000-4-5 8/20µs WAVEFORM

IMPULSE SPARKOVER:
 500 VOLTS @ 1000V/µs

dc SPARKOVER ±20%:
 300 VOLTS

dc HOLDOVER:
 80 VOLTS @ <150ms

MAX OPERATING CURRENT:
 10A

TEMPERATURE:
 -55°C TO +85°C STORAGE/OPERATING

CE COMPLIANT
RoHS COMPLIANT

THESE COMMODITIES, TECHNOLOGY OR SOFTWARE WERE EXPORTED FROM THE UNITED STATES IN ACCORDANCE WITH THE EXPORT ADMINISTRATION REGULATIONS. DIVERSION CONTRARY TO U.S. LAW PROHIBITED.

CUSTOMER APPROVAL: _____ DATE: _____

ALL DIMENSIONS SHOWN ARE FOR REFERENCE ONLY.

UNLESS OTHERWISE SPECIFIED LEADING DIMENSIONS ARE INCHES DIMENSIONS IN [] ARE MILLIMETERS	DRAWN	RJS	DATE	11/10/06		
	ENG APPD	RCD	DATE	3/6/07		
TOLERANCES: FRACTIONS=± 1/32 .XX=± .03 ANGLES=± 1° .XXX=± .010	PRODUCT MGR	JJ	DATE	3/5/07		
	MARKETING APPD	CP	DATE	3/7/07		
MATERIAL	PROJECT NO.		TITLE			
THIRD-ANGLE PROJECTION	NOTICE: THE INFORMATION AND DESIGN IN THIS DOCUMENT IS THE PROPERTY OF TRANSTECTOR SYSTEMS. ALL RIGHTS RESERVED.					
GAS TUBE NON-REPLACEABLE dc-6GHz 50-100W N M/FEM			CUSTOMER SPECIFICATION			
SIZE	CAGE	PART NUMBER	REV	GT-NFM-AL		
B	61114		E			
SCALE	PROD CAT	DOCUMENT NAME	SHEET	OF		
1:1	RFP	GT-NFM-AL-C	1	1		