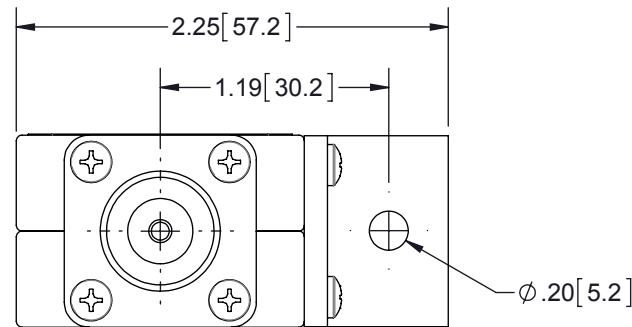
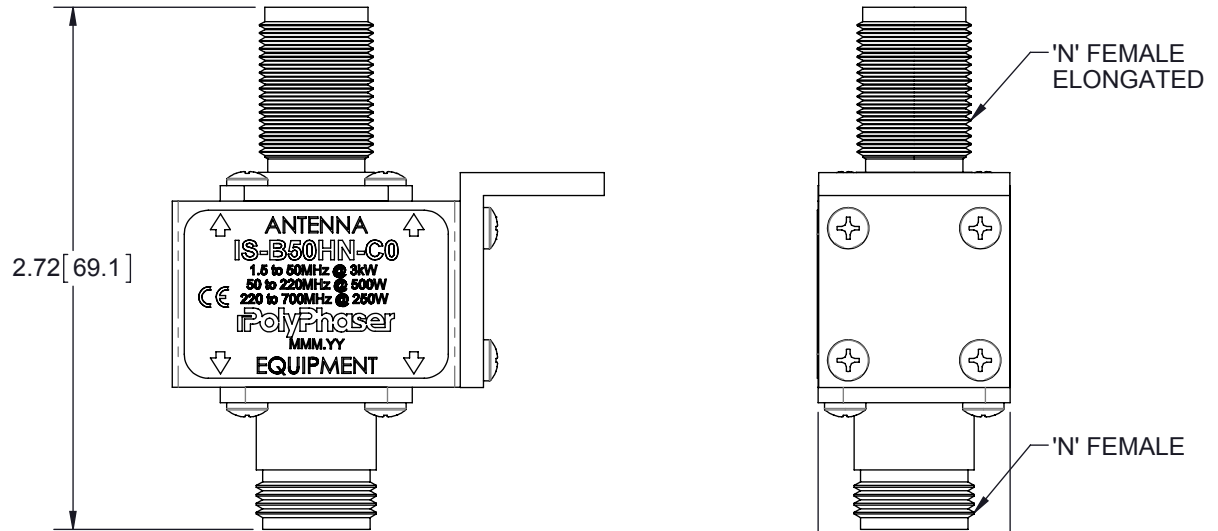


REVISIONS				
REV.	DESCRIPTION	ECN	DATE	APPROVED
J	REFER TO ECN	12061	9/26/13	KCB

HARDWARE KIT INCLUDES:

QTY	DESCRIPTION
1	O-RING 114 EPDM
1	WASHER 5/8 410 SS
1	NUT 5/8-24 303 HEX SS
2	WASHER 10 INT 4-10 SS
1	NUT 10-32 HEX 18-8 SS
1	SCREW 10-32x.75 HEX MS 18-8 SS



MAXIMUM CHARACTERISTICS

APPLICATION:

TWO WAY RADIO AND SCADA APPLICATIONS
NON-WEATHERIZED, BULKHEAD MOUNT

FREQUENCY RANGE:

1.5MHz TO 700MHz

SURGE:

50kA IEC 61000-4-5 8/20ms WAVEFORM (TESTED)
20kA (RATED)

TURN-ON:

1,200Vdc ±20% 7ns FOR 2kV/ns

VSWR:

≤1.1:1 @ 1.5MHz TO 700MHz

INSERTION LOSS:

≤ 0.1dB OVER FREQUENCY RANGE

MAX POWER:

3kW @ 1.5MHz TO 50MHz
500W @ 50MHz TO 220MHz
250W @ 220MHz TO 700MHz

THROUGHPUT ENERGY:

≤20µJ TYPICAL

TEMPERATURE:

STORAGE: -55°C TO +85°C
OPERATING: -50°C TO +50°C

RELATIVE HUMIDITY:

90% @ 40°C

VIBRATION:

1G AT 5Hz TO 100Hz

CE COMPLIANT

RoHS COMPLIANT

CUSTOMER APPROVAL: _____ DATE: _____

ALL DIMENSIONS SHOWN ARE FOR REFERENCE ONLY.

UNLESS OTHERWISE SPECIFIED LEADING DIMENSIONS ARE INCHES DIMENSIONS IN [] ARE MILLIMETERS	DRAWN M. WALSER	DATE 6/2/95	PolyPhaser		SHEET 1 OF 1			
	ENG APPD J. JONES	6/2/95			SCALE 1:1			
TOLERANCES: FRACTIONS=± 1/32 .XX=± .03 ANGLES=± 1° .XXX=± .010	PRODUCT MGR		TITLE BROADBAND 1.5-700MHz R50 T.O. 1200Vdc N FEM BLKH CUSTOMER SPECIFICATION					
NOTICE: THE INFORMATION AND DESIGN IN THIS DOCUMENT IS THE PROPERTY OF POLYPHASER CORPORATION. ALL RIGHTS RESERVED.	MARKETING APPD R. MATHEUS	6/2/95						
THIRD-ANGLE PROJECTION 	PROJECT NO.		DOCUMENT NAME IS-B50HN-C0-C	SIZE A	CAGE 61114	PROD CAT RFP	PART NUMBER IS-B50HN-C0	REV J