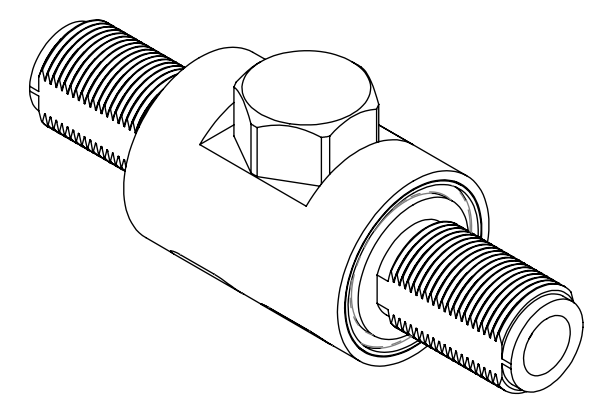
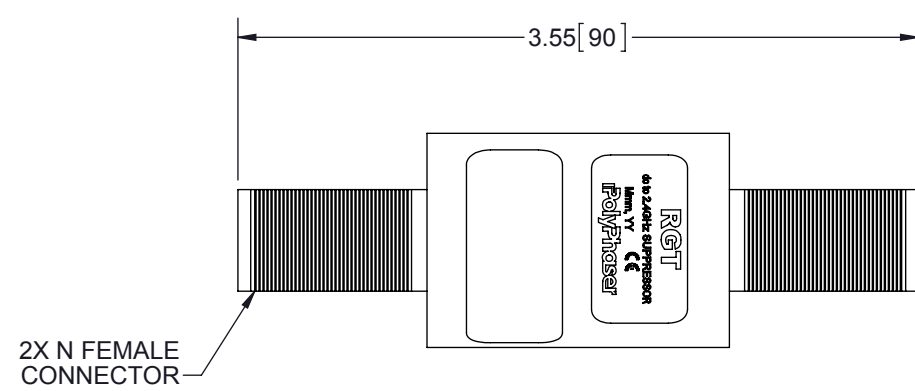
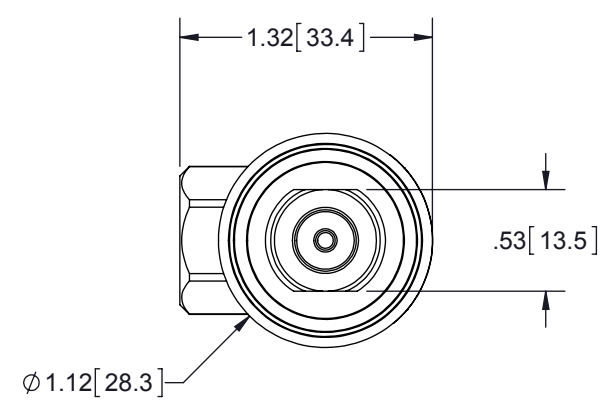
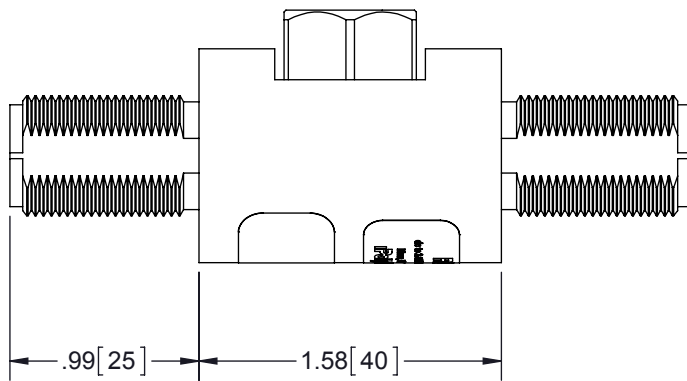


REVISIONS				
REV.	DESCRIPTION	ECN	DATE	APPROVED
J	REFER TO ECN	11928	8/16/13	JLJ



**MAXIMUM CHARACTERISTICS**

**Application:**  
Bulkhead Mount (Single Double 'D') Weatherproof

**Electrical Performance:**  
Frequency Range: DC to 2.4GHz  
VSWR: ≤1.28:1 Over Frequency Range  
Insertion Loss: ≤0.25dB Over Frequency Range  
Max Power: 50W @ 10MHz  
10W @ 2GHz  
Max Surge: 18kA IEC 61000-4-5, 8/20 μS Waveform  
Turn-On: ±180Vdc ±20%  
DC: Up to ±60Vdc 10A Max

**Mechanical:**  
Dimensions: 3.55" x Ø1.15" x 1.32"  
Weight: .25lbs  
Vibration: 1G at 5Hz and 100Hz

**Environmental:**  
Meets Bellcore #TA-NWT-000487  
Procedure 4.11, Wind Driven (120MPH) Rain Intrusion Test  
Operating Temperature: -50°C to +85°C  
Relative Humidity: 90% at 40°C

CE Compliant  
RoHS Compliant

**HARDWARE KIT INCLUDES:**

QTY	DESCRIPTION
1	NUT 5/8-24 303 HEX SS
1	WASHER 5/8 410 SS
1	SILICONE O-RING 019

CUSTOMER APPROVAL: \_\_\_\_\_ DATE: \_\_\_\_\_

ALL DIMENSIONS SHOWN ARE FOR REFERENCE ONLY.

THESE COMMODITIES, TECHNOLOGY OR SOFTWARE WERE EXPORTED FROM THE UNITED STATES IN ACCORDANCE WITH THE EXPORT ADMINISTRATION REGULATIONS. DIVERSION CONTRARY TO U.S. LAW PROHIBITED.

UNLESS OTHERWISE SPECIFIED LEADING DIMENSIONS ARE INCHES DIMENSIONS IN [ ] ARE MILLIMETERS

TOLERANCES:  
FRACTIONS=± 1/32 .XX=± .01  
ANGLES=± 1° .XXX=± .005

MATERIAL

THIRD-ANGLE PROJECTION

DRAWN	JC	DATE	06/23/99
ENG APPD	JLJ		07/13/99
PRODUCT MGR	RM		07/14/99
MARKETING APPD	TF		07/14/99
PROJECT NO.			

NOTICE: THE INFORMATION AND DESIGN IN THIS DOCUMENT IS THE PROPERTY OF TRANSECTOR SYSTEMS. ALL RIGHTS RESERVED.

**PolyPhaser®**

**DC PASS dc-2.4GHz OP60Vdc  
N FEM EL ANT, N FEM EQ**

CUSTOMER SPECIFICATION

SIZE	CAGE	PART NUMBER	REV
B	61114	RGT	J
SCALE	PROD CAT	DOCUMENT NAME	SHEET
1:1	RFP	RGT-C	1 OF 1