

7/16 F/F Bulkhead Coaxial RF Surge Protector, DC - 2.7GHz,  
400W, IP67, 60 V Max., 420uJ, 20kA, Gas Discharge Tube



## RGT-DFF

### Features

- Surge current of 20kA
- Max Power 400W(RMS)
- Frequency range from DC to 2.7 GHz
- DIN-type Female connectors
- Waterproof IP67 rated
- DC Pass
- VSWR <1.1
- CE & RoHS compliant
- Directional

### Applications

- WiFi
- GPS
- Land mobile radio

### Description

RF surge protector (also known as lightning arrester or surge arrester) RGT-DFF from PolyPhaser, utilizing a gas tube (GT or GDT). This RF surge protector component is manufactured in a coaxial in-line design with wide operating frequency range. All PolyPhaser RF surge protector products are available in stock with same day shipping.

### Electrical Specifications

Surge Protector Type  
DC Handling

Gas Discharge Tube  
DC Pass

Description	Minimum	Typical	Maximum	Units
Frequency Range	DC		2.7	GHz
Impedance		50		Ohms
VSWR		1.1:1	1.2:1	
Return Loss			20	dB
Operating Voltage (DC)			60	Volts
Operating Current (DC)			400	A
Input Power, CW			400	Watts
Surge Current			20	kA
Turn On Voltage		300		Volts
Throughput Energy			420	uJ

Click the following link (or enter part number in "SEARCH" on website) to obtain additional part information including price, inventory and certifications:  
[7/16 F/F Bulkhead Coaxial RF Surge Protector, DC - 2.7GHz, 400W, IP67, 60 V Max., 420uJ, 20kA, Gas Discharge Tube RGT-DFF](#)

7/16 F/F Bulkhead Coaxial RF Surge Protector, DC - 2.7GHz,  
400W, IP67, 60 V Max., 420uJ, 20kA, Gas Discharge Tube



## RGT-DFF

### Specifications by Frequency

Description	F1	F2	F3	F4	F5	Units
Frequency Range	DC to 2	2 to 2.7				GHz
Return Loss, Max	30	20				dB

### Mechanical Specifications

Weight 1 lbs [453.59 g]

#### Configuration

Input Connector 7/16 DIN Female  
Output Connector 7/16 DIN Female

### Environmental Specifications

Ingress Protection (IP) Rating IP67

### Compliance Certifications

### Plotted and Other Data

Notes:

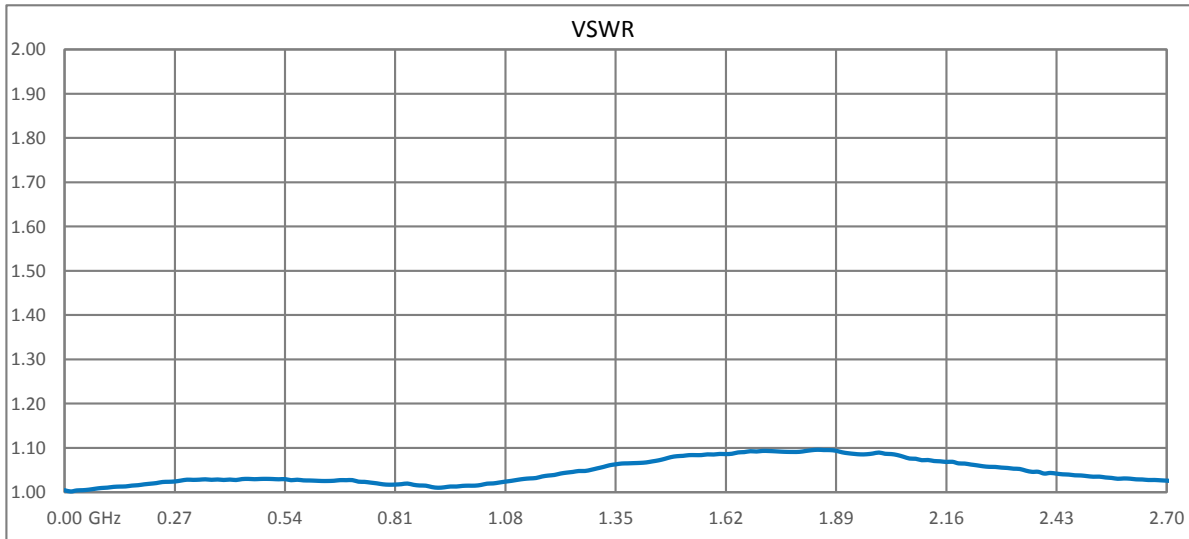
Click the following link (or enter part number in "SEARCH" on website) to obtain additional part information including price, inventory and certifications:  
[7/16 F/F Bulkhead Coaxial RF Surge Protector, DC - 2.7GHz, 400W, IP67, 60 V Max., 420uJ, 20kA, Gas Discharge Tube RGT-DFF](#)

7/16 F/F Bulkhead Coaxial RF Surge Protector, DC - 2.7GHz,  
400W, IP67, 60 V Max., 420uJ, 20kA, Gas Discharge Tube



## RGT-DFF

### Typical Performance Data

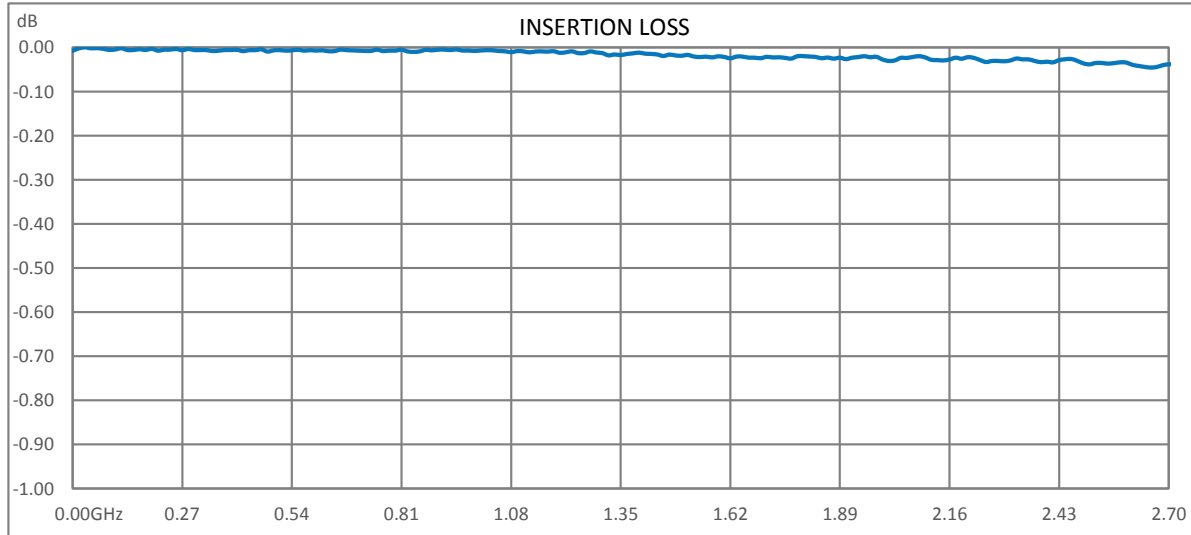


Click the following link (or enter part number in "SEARCH" on website) to obtain additional part information including price, inventory and certifications:  
[7/16 F/F Bulkhead Coaxial RF Surge Protector, DC - 2.7GHz, 400W, IP67, 60 V Max., 420uJ, 20kA, Gas Discharge Tube RGT-DFF](#)

7/16 F/F Bulkhead Coaxial RF Surge Protector, DC - 2.7GHz,  
400W, IP67, 60 V Max., 420uJ, 20kA, Gas Discharge Tube



## RGT-DFF



PolyPhaser protects and increases the reliability of global RF communications networks, including transportation, telecommunications, defense, security and industrial applications, with superior RF surge protection technologies including DC Block, DC Pass and Ultra Low PIM. Backed by responsive service and expert technical support PolyPhaser continually expands its product offering and services to serve engineers' urgent needs for RF components in mission critical communication networks.

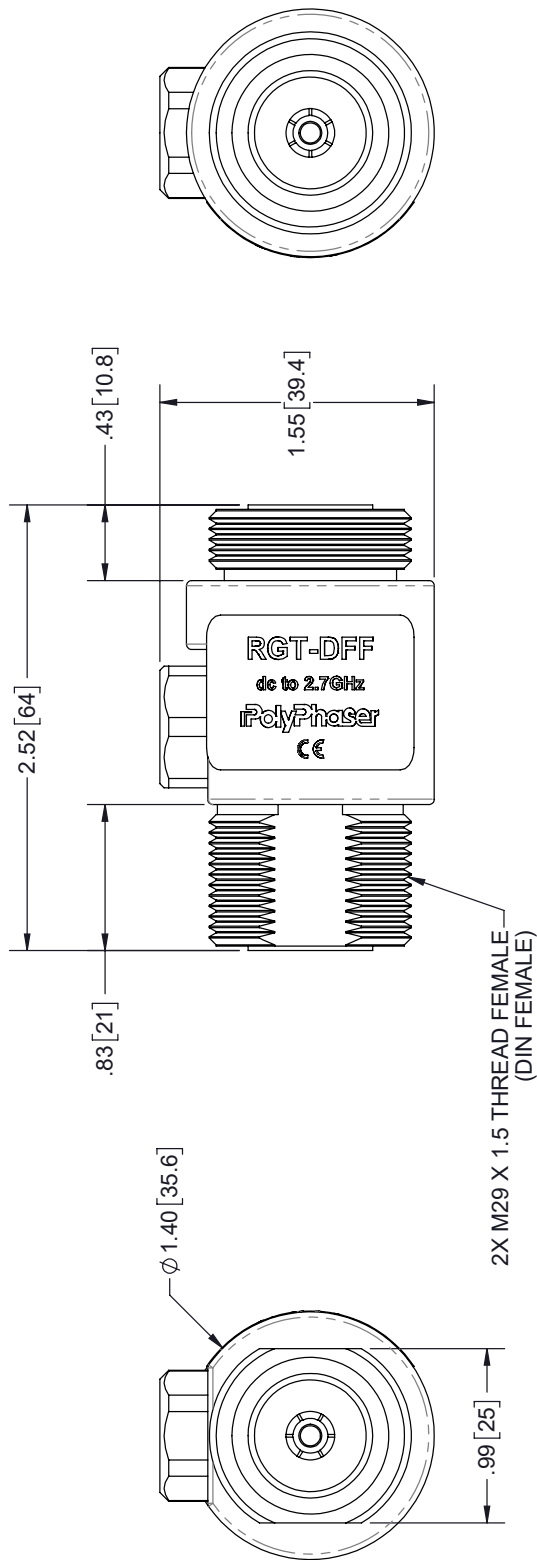
Click the following link (or enter part number in "SEARCH" on website) to obtain additional part information including price, inventory and certifications: [7/16 F/F Bulkhead Coaxial RF Surge Protector, DC - 2.7GHz, 400W, IP67, 60 V Max., 420uJ, 20kA, Gas Discharge Tube RGT-DFF](https://www.polyphaser.com/7-16-din-surge-protector-2.7ghz-gas-discharge-tube-rgt-dff-p.aspx)

URL: <https://www.polyphaser.com/7-16-din-surge-protector-2.7ghz-gas-discharge-tube-rgt-dff-p.aspx>

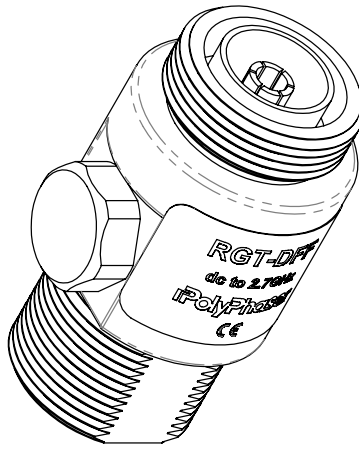
The information contained in this document is accurate to the best of our knowledge and representative of the part described herein. It may be necessary to make modifications to the part and/or the documentation of the part, in order to implement improvements. PolyPhaser reserves the right to make such changes as required. Unless otherwise stated, all specifications are nominal. PolyPhaser does not make any representation or warranty regarding the suitability of the part described herein for any particular purpose, and PolyPhaser does not assume any liability arising out of the use of any part or documentation.

7/16 F/F Bulkhead Coaxial RF Surge Protector, DC - 2.7GHz, 400W,  
IP67, 60 V Max., 420uJ, 20kA, Gas Discharge Tube

RGT-DFF CAD Drawing



2X M29 X 1.5 THREAD FEMALE  
(DIN FEMALE)



HARDWARE KIT INCLUDES:

QTY	DESCRIPTION
1	NUT M29 X 1.5 SST DIN
1	WASHER 1.15ID FLAT SST TYPE 304
1	O-RING 025 SILICONE

THESE COMMODITIES, TECHNOLOGY OR SOFTWARE WERE EXPORTED FROM THE UNITED STATES IN ACCORDANCE WITH THE EXPORT ADMINISTRATION REGULATIONS. DIVERSION CONTRARY TO U.S. LAW PROHIBITED.

ALL DIMENSIONS SHOWN ARE FOR REFERENCE ONLY.

UNLESS OTHERWISE SPECIFIED LEADING DIMENSIONS ARE IN INCHES DIMENSIONS IN [ ] ARE MILLIMETERS TOLERANCES: FRACTIONS: ± .XX ± .03 ANGLES: ± 1° .XXX ± .010	SHEET 1 of 1
	SCALE 1:1
TITLE DC TO 2.7 GHz REPLACEABLE GAS TUBE F/F	
SIZE A	CAGE CODE 30992
PROD CAT RFP	DRAWING NUMBER RGT-DFF
THIRD-ANGLE PROJECTION	REV A