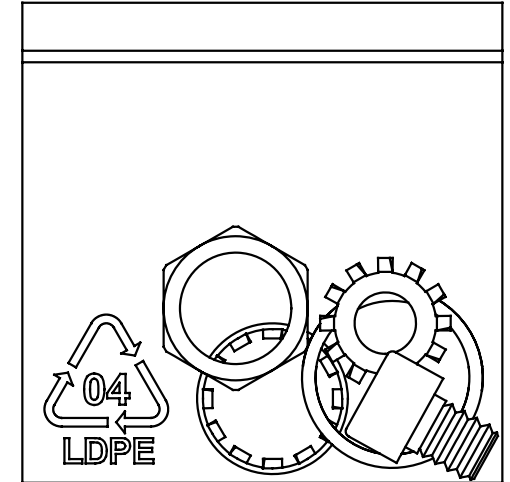
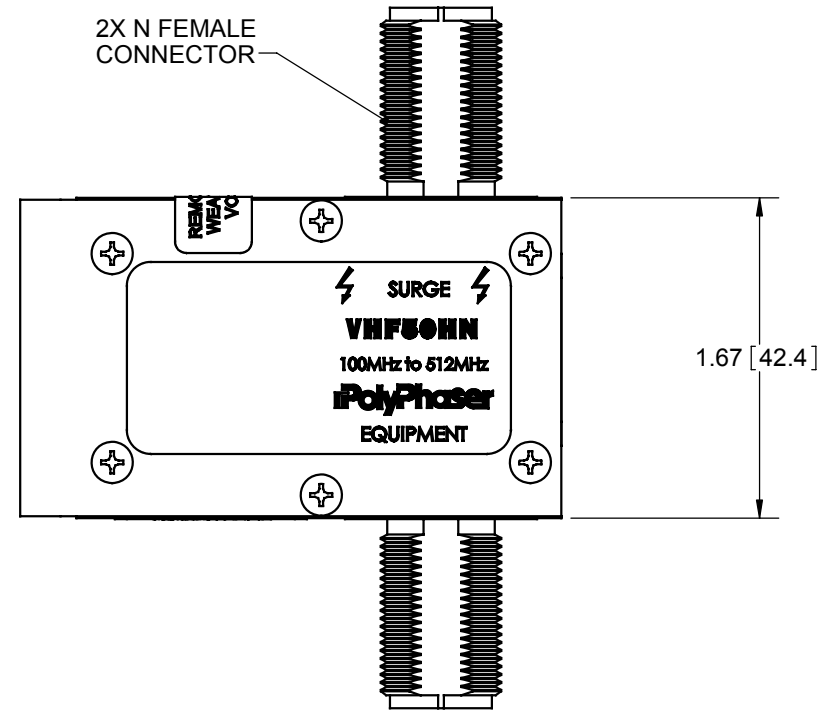
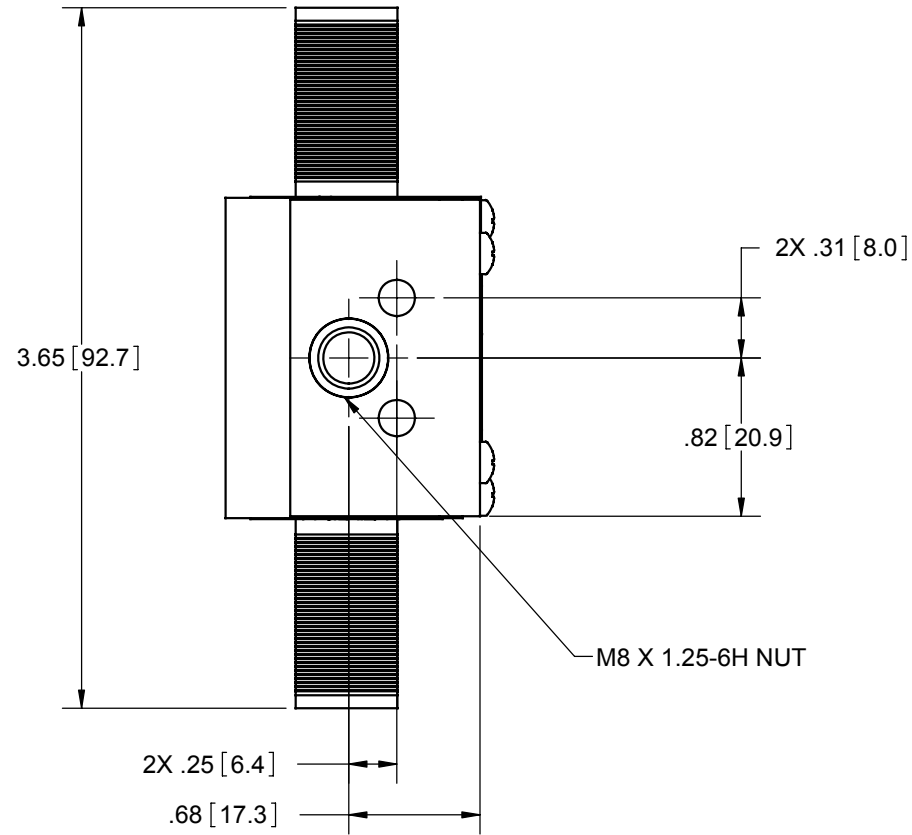


REVISIONS				
REV.	DESCRIPTION	ECN	DATE	APPROVED
E	REFER TO ECN	10164	10/28/11	CAP



HARDWARE KIT INCLUDED

QTY	DESCRIPTION
1	WASHER 5/16 EXT 18-8 SS
1	SCREW CAP M8X1.25X10MM
1	SILICONE O-RING 019
1	WASHER 5/8 410 SS
1	NUT 5/8-24 303 HEX SS

MAXIMUM CHARACTERISTICS

Application:
Weatherized, Flange or Bulkhead Mount

Electrical Performance:

Frequency Range: 100MHz to 512 MHz
 VSWR: $\leq 1.1:1$ Over Frequency Range
 Insertion Loss: ≤ 0.1 dB Over Frequency Range
 Power: 750W RMS Average
 Max. Surge: 20kA IEC 61000-4-5 8/20 μ s Waveform
 Throughput Energy: ≤ 500 nJ for 3kA @ 8/20 μ s Waveform

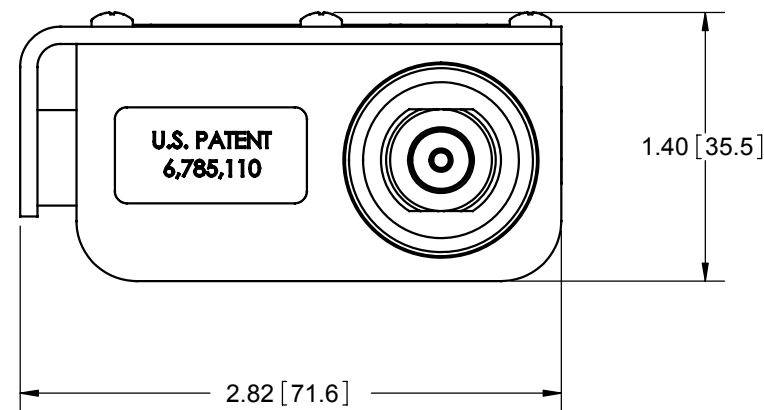
Mechanical:

Dimensions: 3.65" x 2.82" x 1.40"
 Weight: .5lbs

Environmental:

Meets IEC 60529 IP67
 Meets Bellcore #TA-NWT-000487
 Procedure 4.11, Wind Driven (120mph) Rain Intrusion Test.
 Operating temperature: -50°C to +85°C
 Relative Humidity: to 95%

RoHS Compliant



CUSTOMER APPROVAL: _____ DATE: _____

ALL DIMENSIONS SHOWN ARE FOR REFERENCE ONLY.

THESE COMMODITIES, TECHNOLOGY OR SOFTWARE WERE EXPORTED FROM THE UNITED STATES IN ACCORDANCE WITH THE EXPORT ADMINISTRATION REGULATIONS. DIVERSION CONTRARY TO U.S. LAW PROHIBITED.

UNLESS OTHERWISE SPECIFIED LEADING DIMENSIONS ARE INCHES DIMENSIONS IN [] ARE MILLIMETERS TOLERANCES: FRACTIONS=± 1/32 .XX=± .01 ANGLES=± 1° .XXX=± .005	DRAWN	SH	DATE			
	ENG APPD	NT	04/22/03			
	PRODUCT MGR	SD	04/24/03			
	MARKETING APPD	LJ	04/25/03			
MATERIAL	PROJECT NO.		TITLE			
NA			100-512MHz VHF COMB 750W			
THIRD-ANGLE PROJECTION	NOTICE: THE INFORMATION AND DESIGN IN THIS DOCUMENT IS THE PROPERTY OF TRANSECTOR SYSTEMS. ALL RIGHTS RESERVED.		CUSTOMER SPECIFICATION			
	SIZE	CAGE	DOCUMENT NAME	REV		
	B	61114	VHF50HN-C	E		
	SCALE	PROD CAT	PART NUMBER	SHEET	OF	
	1:1	RFP	VHF50HN	1	1	